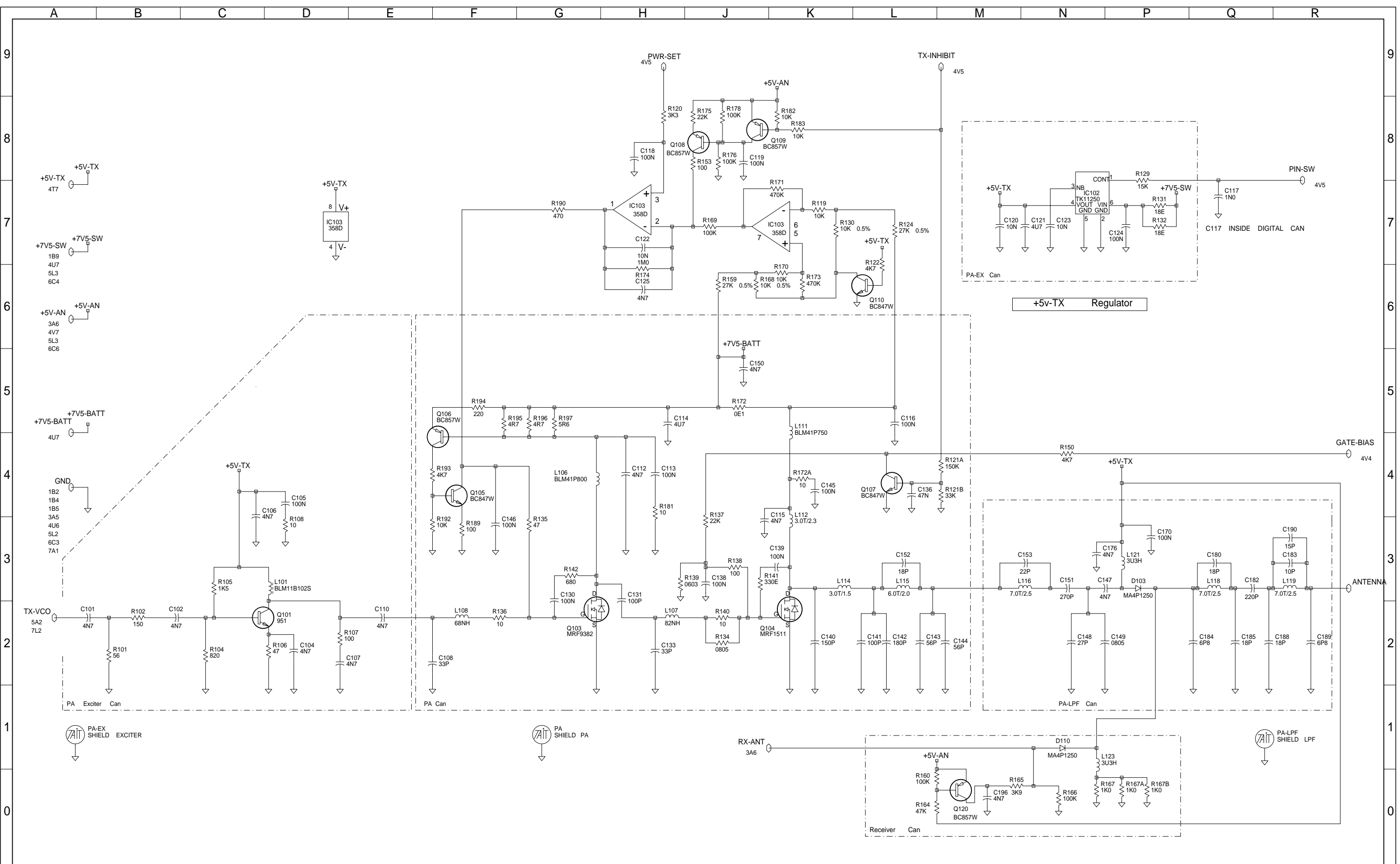


08B	C280VALUE CHANGE ECO 103200060	BRD			20-03-03
08A	CCO NO.1616-011	BRD			27-07-00
07A	CCO NO. 1616-010	BRD			05-05-00
06B	CCO 1616-009	BRD			22-02-00
06A	CCO NO 1616-008	BRD			10-02-2K
04A	CLONED 220-01616-01 CCO 1616/006	BRD	SP	CK	DW
REV/ISS	AMENDMENTS	DRAWN	CHKD	D.O.	APVD
					DATE

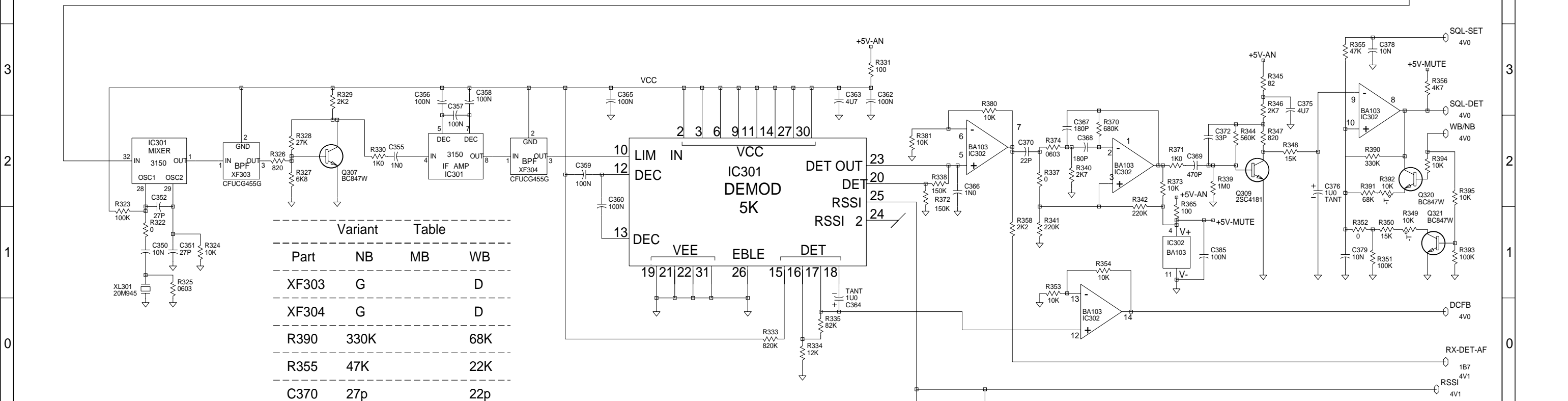
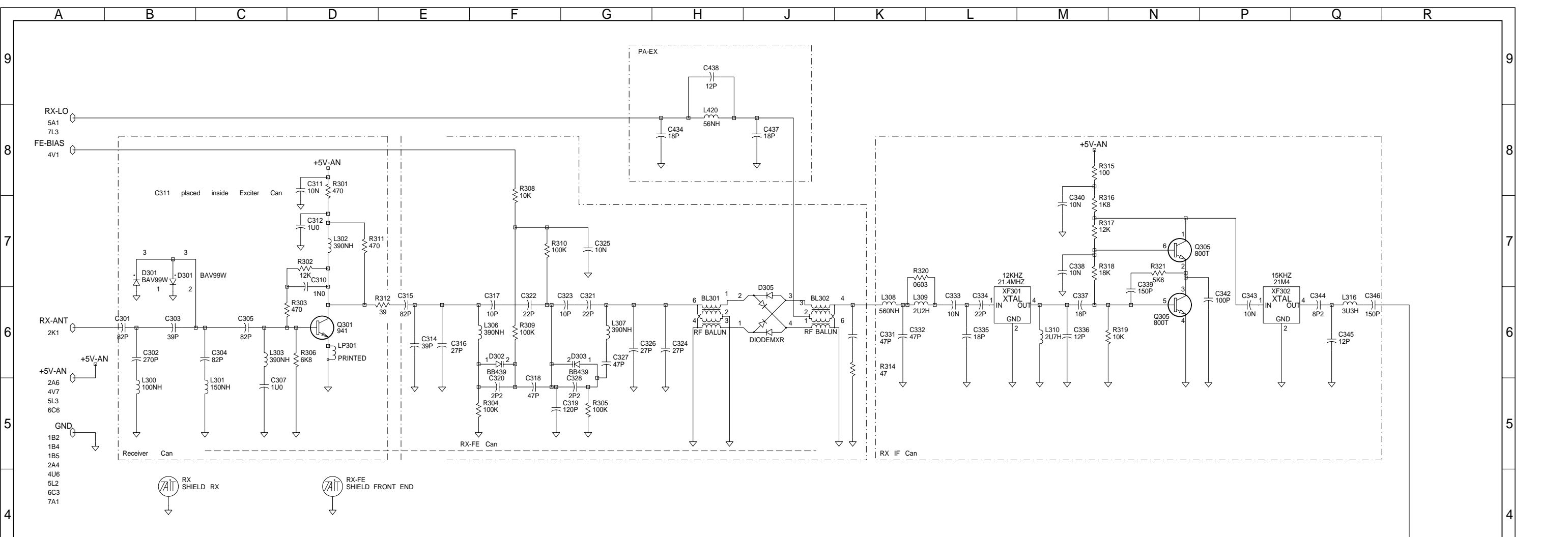
**SUB-VHF**  
Tait Orca

© TAIT ELECTRONICS	
ORCA :	66-88MHZ
SYSTEM DIAGRAM	
IPN: 220-01616-08	ISSUE: B 2.S.C. 1
PROJECT: TAIT ORCA	DESIGNER: BRD
FILE NAME: 161600B	DATE: 21-Mar-03
NO. SHEETS: 7	



REV/ISS	AMENDMENTS	DRAWN	CHKD	D.O.	APVD	DATE
A						
B						
C						
D						
E						

© TAIT ELECTRONICS  
 ORCA : 66-88MHZ  
 POWER AMPLIFIER  
 IPN: 220-01616-08 B 2.S.C. 2  
 PROJECT: TAIT ORCA BRD 161608b 21-Mar-03 7  
 DESIGNER: FILE NAME: FILE DATE: NO.SHEETS:



Variant Table

Part	NB	MB	WB
XF303	G		D
XF304	G		D
R390	330K		68K
R355	47K		22K
C370	27p		22p
C369	470p		330p

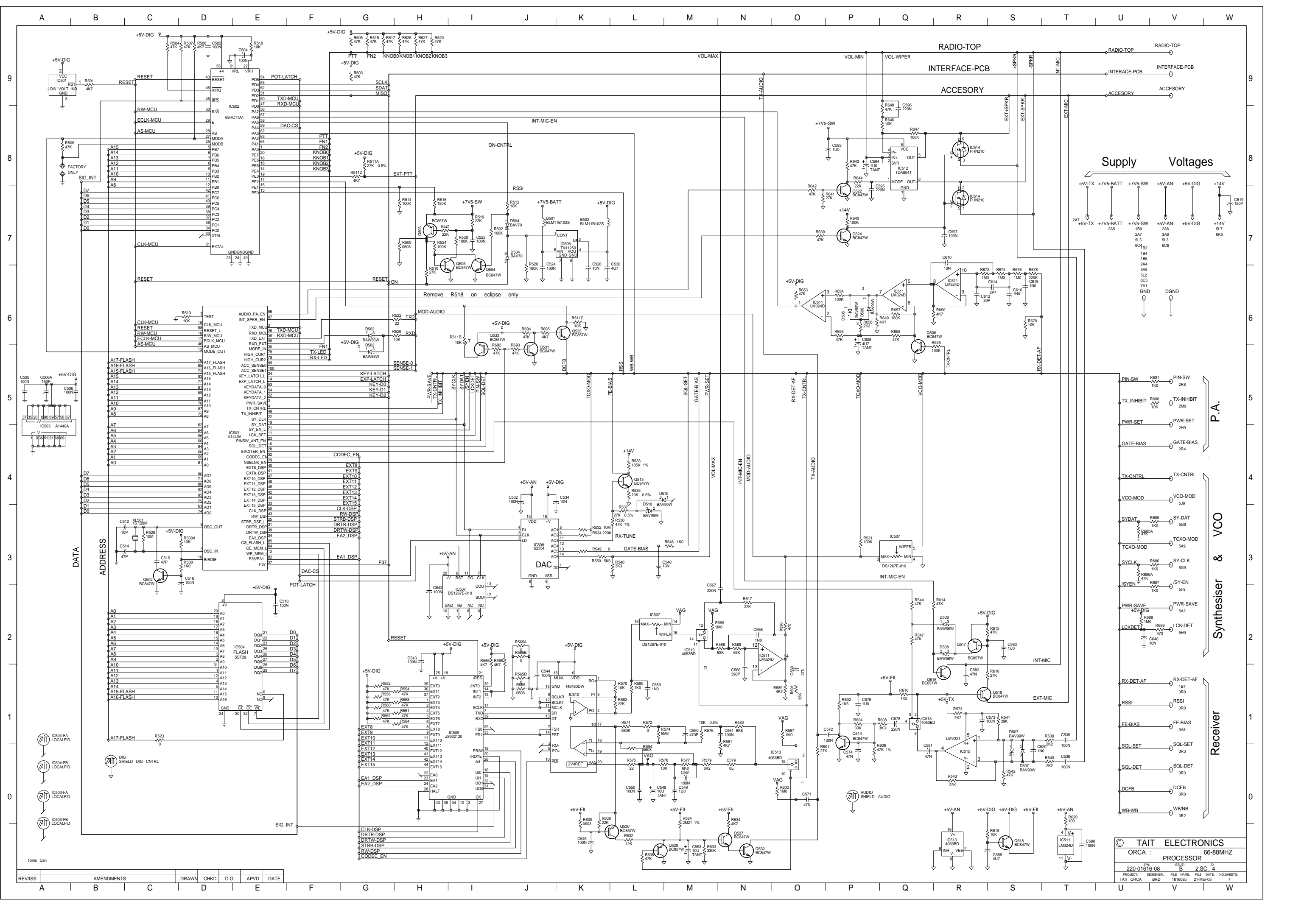
REV/ISS	AMENDMENTS	DRAWN	CHKD	D.O.	APVD	DATE

**TAIT ELECTRONICS**

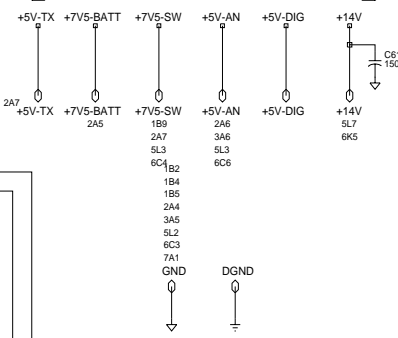
ORCA : RECEIVER 66-88MHZ

IPN: 220-01616-08    ISSUE: B    2.SC. 3    ID:  

PROJECT: TAIT ORCA    DESIGNER: BRD    FILE NAME: 161608b    FILE DATE: 21-Mar-03    NO.SHEETS: 7



**Supply Voltages**



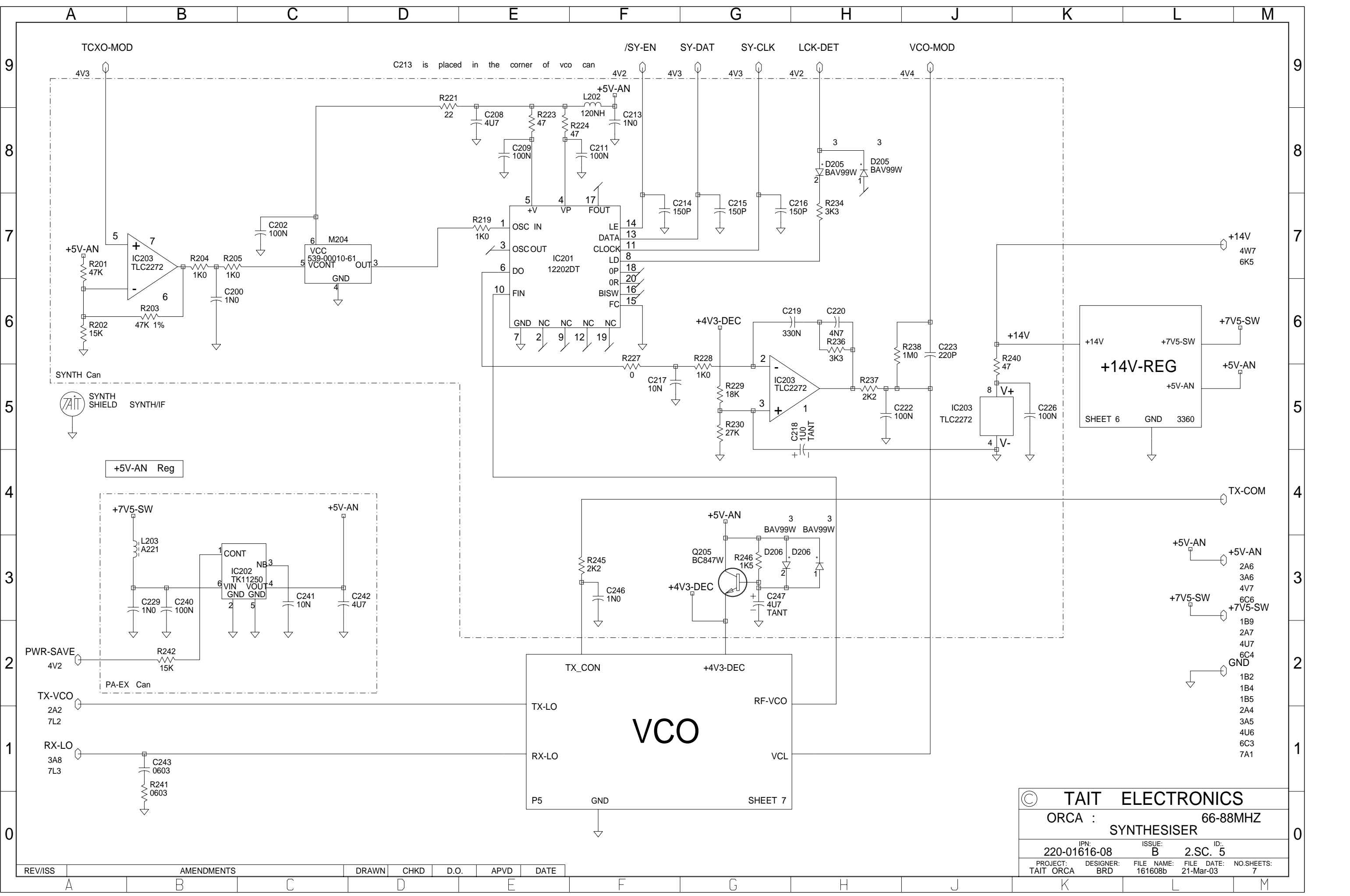
**P.A.**

**Synthesiser & VCO**

**Receiver**

© TAIT ELECTRONICS  
 ORCA : PROCESSOR 66-88MHZ  
 ISSUE NO. B 2.S.C. 4  
 PRODUCT DESIGNER: 161608B FILE DATE: NO SHEETS: 7  
 TAIT ORCA BRD 161608B 21-MAR-03

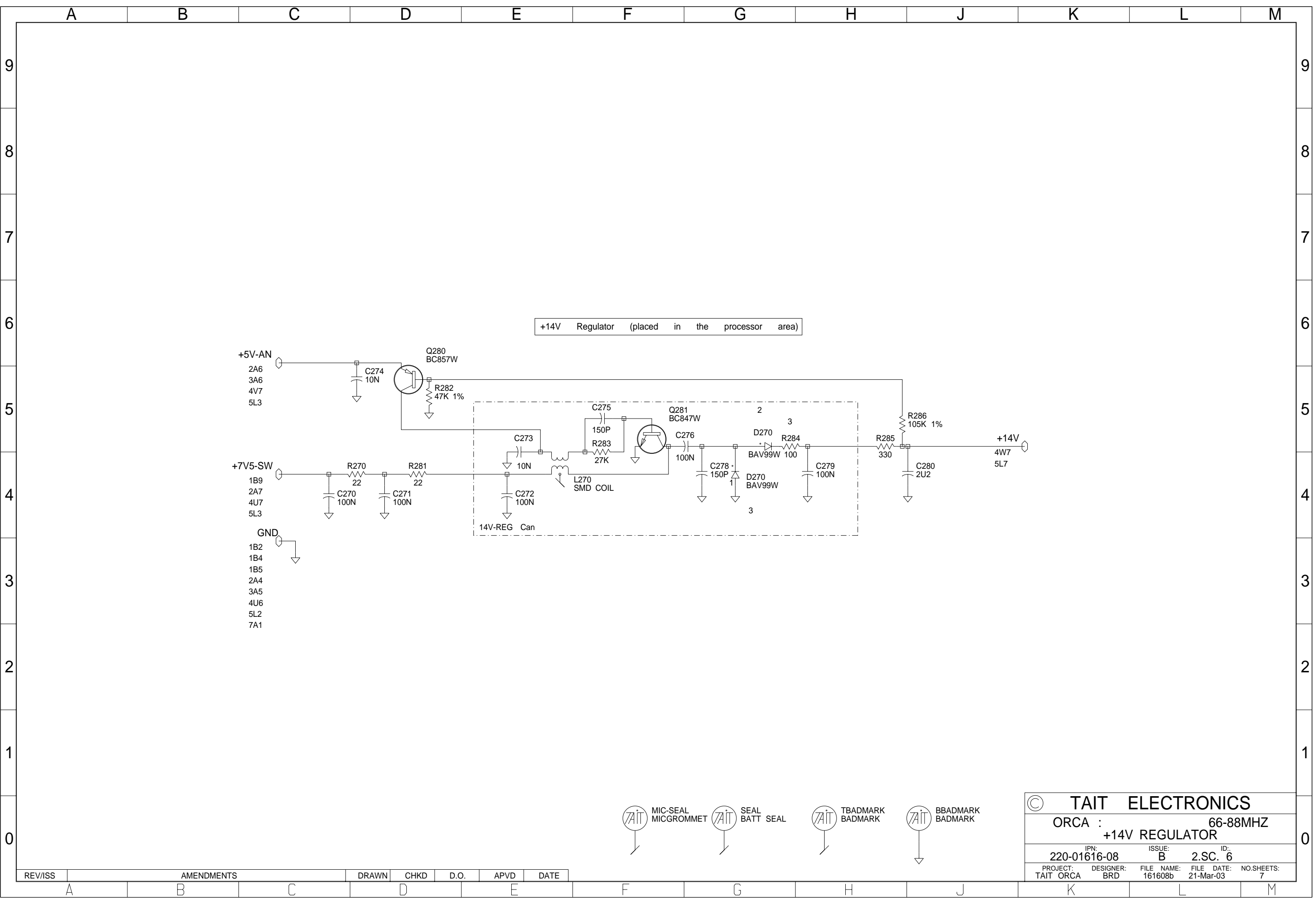
REV/ISS	AMENDMENTS	DRAWN	CHKD	D.O.	APVD	DATE
A	B	C	D	E		



© TAIT ELECTRONICS  
 ORCA : 66-88MHZ SYNTHESISER  
 IPN: 220-01616-08 ISSUE: B ID: 2.S.C. 5  
 PROJECT: TAIT ORCA DESIGNER: BRD FILE NAME: 161608b FILE DATE: 21-Mar-03 NO.SHEETS: 7

REV/ISS	AMENDMENTS	DRAWN	CHKD	D.O.	APVD	DATE

- 2A6
- 3A6
- 4V7
- 6C6
- 7V5-SW
- 1B9
- 2A7
- 4U7
- 6C4
- GND
- 1B2
- 1B4
- 1B5
- 2A4
- 3A5
- 4U6
- 6C3
- 7A1



+14V Regulator (placed in the processor area)

+5V-AN  
2A6  
3A6  
4V7  
5L3

+7V5-SW  
1B9  
2A7  
4U7  
5L3

GND

1B2  
1B4  
1B5  
2A4  
3A5  
4U6  
5L2  
7A1

Q280  
BC857W

R282  
47K 1%

Q281  
BC847W

C275  
150P

R283  
27K

C276  
100N

C277  
10N

C272  
100N

C273  
10N

L270  
SMD COIL

D270  
BAV99W

R284  
100

C278  
150P

D270  
BAV99W

C279  
100N

R286  
105K 1%

R285  
330

C280  
2U2

+14V  
4W7  
5L7

14V-REG Can



MIC-SEAL  
MICGROMMET



SEAL  
BATT SEAL



TBADMARK  
BADMARK



BBADMARK  
BADMARK

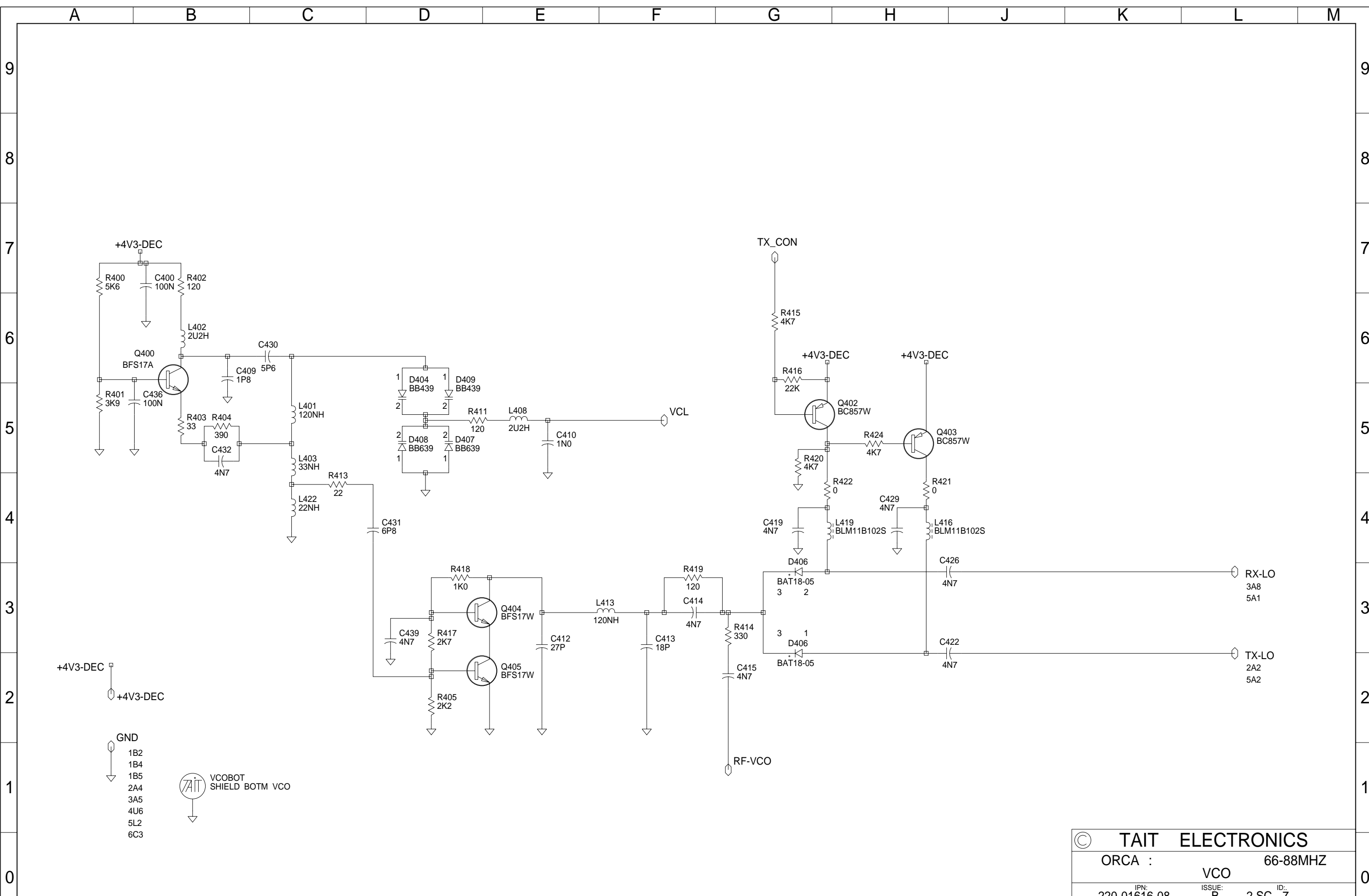
© TAIT ELECTRONICS

ORCA : 66-88MHZ  
+14V REGULATOR

IPN: 220-01616-08 ISSUE: B ID: 2.S.C. 6

PROJECT: TAIT ORCA DESIGNER: BRD FILE NAME: 161608b FILE DATE: 21-Mar-03 NO.SHEETS: 7

REV/ISS	AMENDMENTS	DRAWN	CHKD	D.O.	APVD	DATE



© TAIT ELECTRONICS  
 ORCA : VCO 66-88MHZ  
 IPN: 220-01616-08 ISSUE: B ID: 2.S.C. 7  
 PROJECT: TAIT ORCA DESIGNER: BRD FILE NAME: 161608b FILE DATE: 21-Mar-03 NO.SHEETS: 7

REV/ISS	AMENDMENTS	DRAWN	CHKD	D.O.	APVD	DATE
						12/02/99